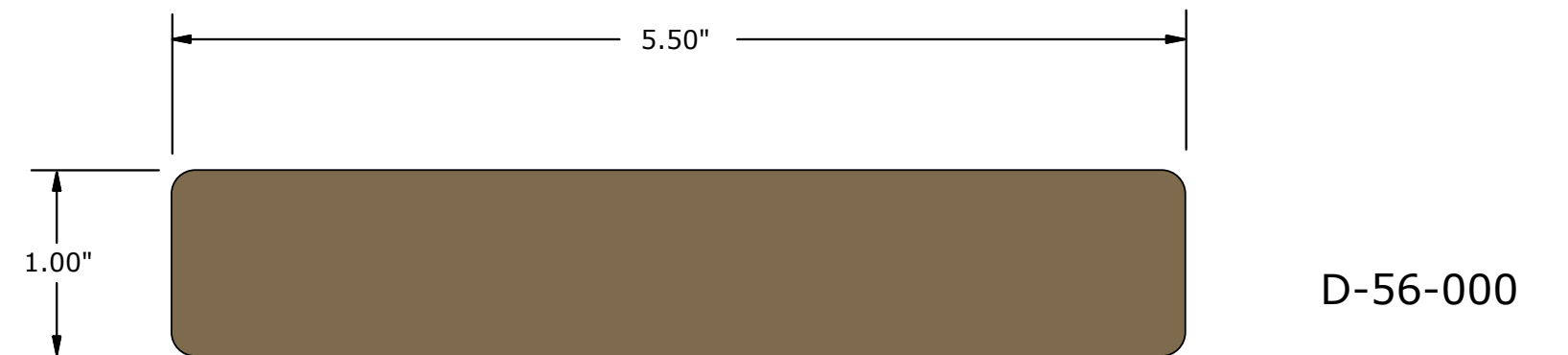
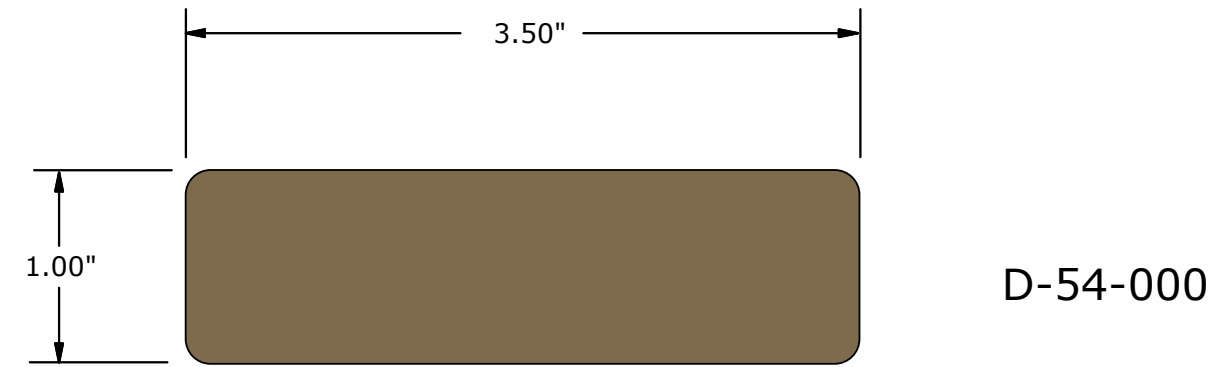
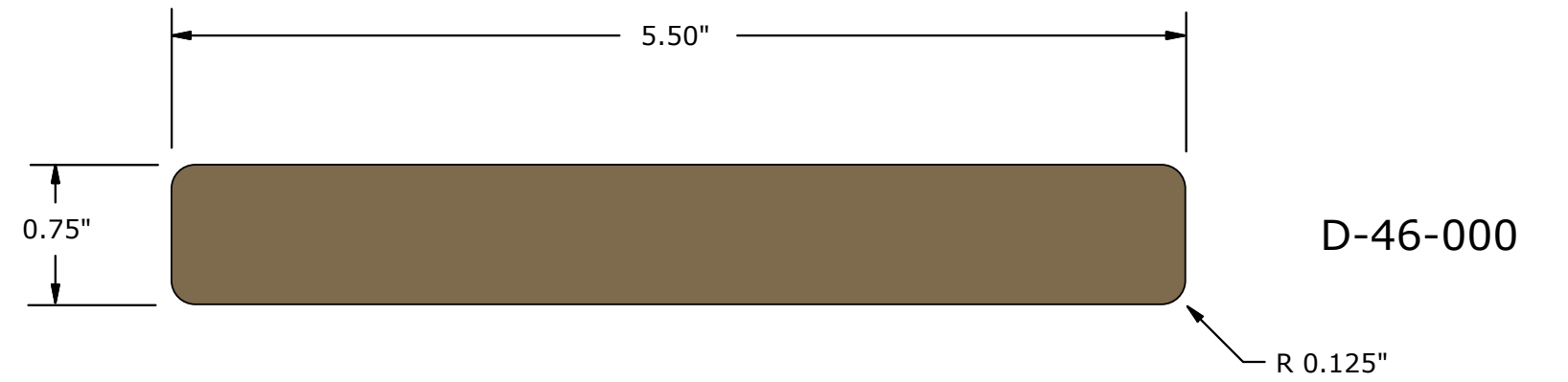
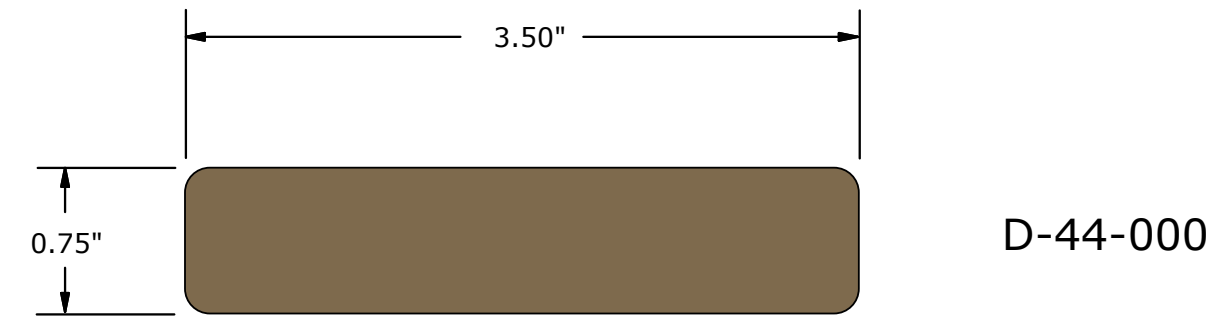
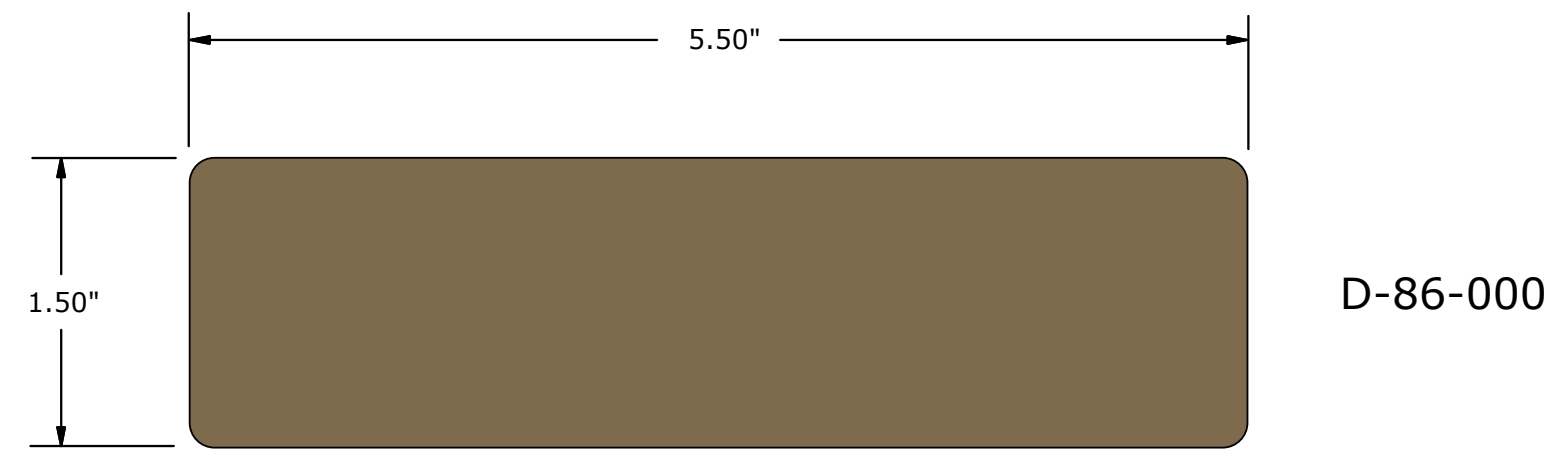
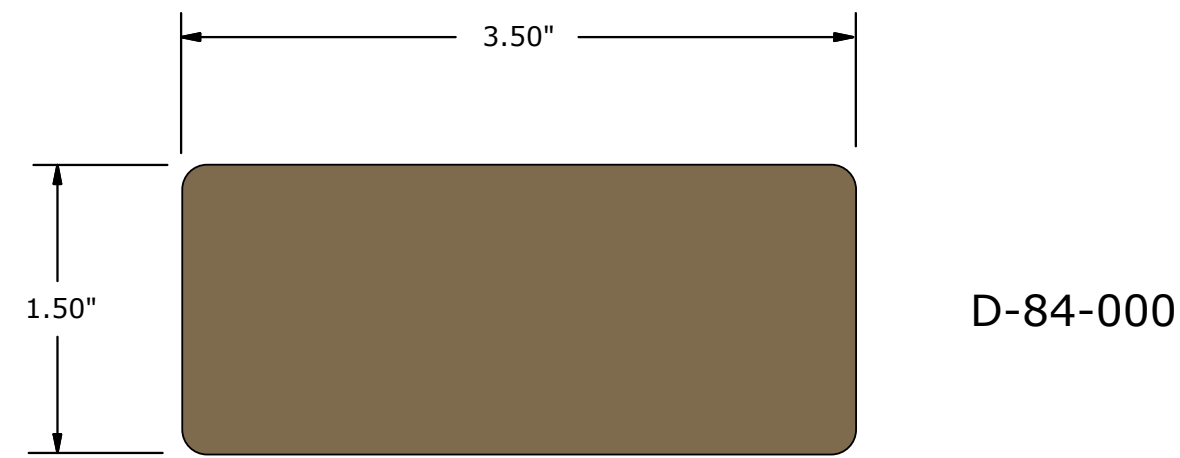
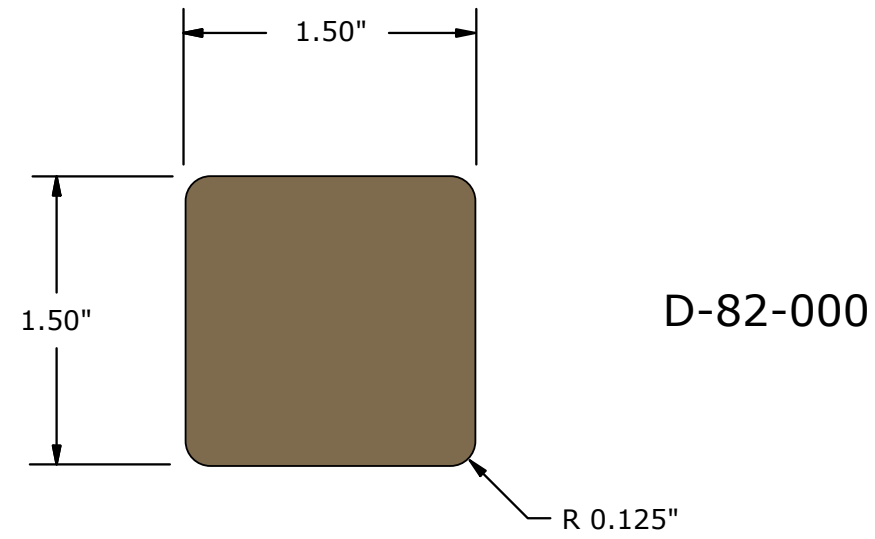
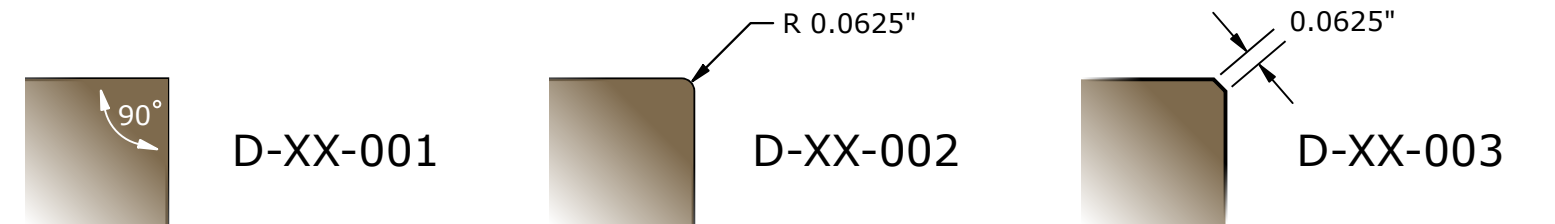


Dimensionals



Variations



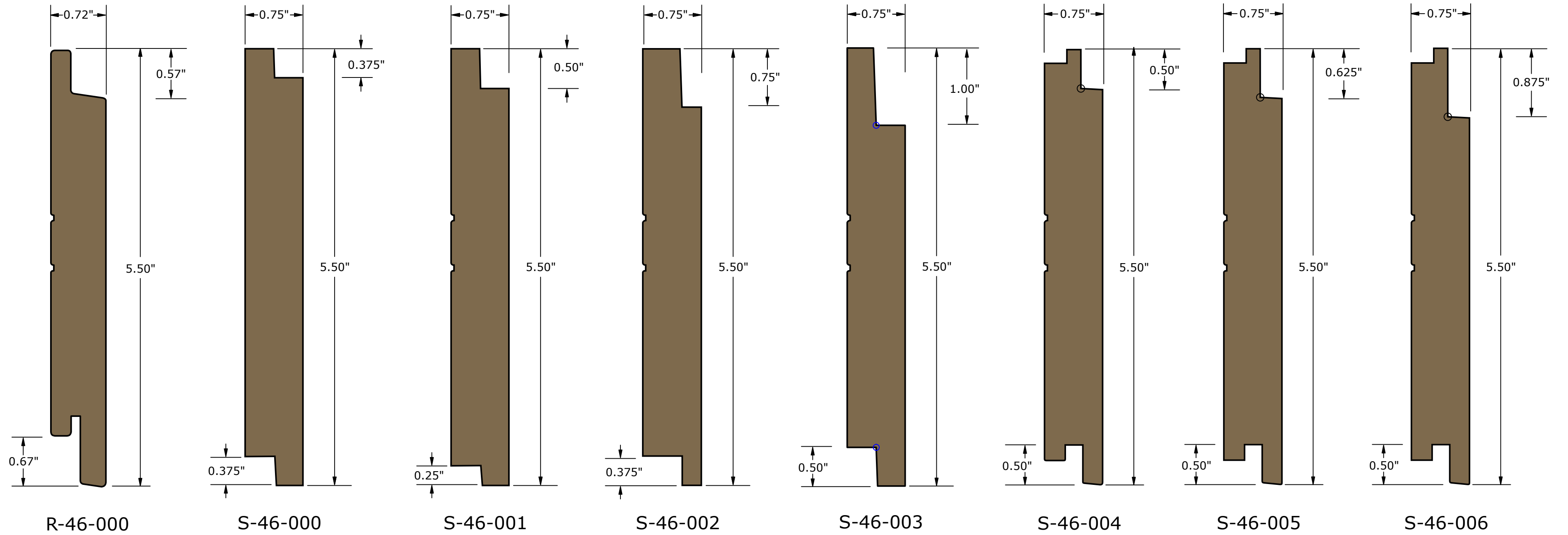
Code	Description
D-XX-000	Eased 4 Edge 0.125" radius
D-XX-001	Square 4 Edge 90 degree
D-XX-002	Eased 4 Edge 0.0625" radius
D-XX-003	Microbevel 0.0625"

NOTES: UNLESS OTHERWISE SPECIFIED

- 1) MATERIAL: THERMALLY-MODIFIED HARDWOOD
- 2) FINISHED LENGTHS: 6' TO 12' AS DEVELOPS, MAX 5% 3/4"/5' NESTED
- 3) SOUND KNOTS MAX 0.50" DIAMETER PERMITTED; NO OPEN KNOTS ON THE SOUND FACE

	Americana by Bingaman 1195 Creek Mountain Rd Kreamer PA 17833	TITLE D-XX-0XX	
	DRAWN: LMP 11/17/2022	SIZE	DWG NO
TOLERANCE:		REV 6	SHEET 1 OF 1
X.XXX (+/- .03125")	ANG(+/- 1DEG)		
X.XX (+/- .0625")	FRAC(+/- 1/32")		
ALL DIMENSIONS IN INCHES			

Rainscreen / Siding / Open Joint Cladding



R-46-000

S-46-000

S-46-001

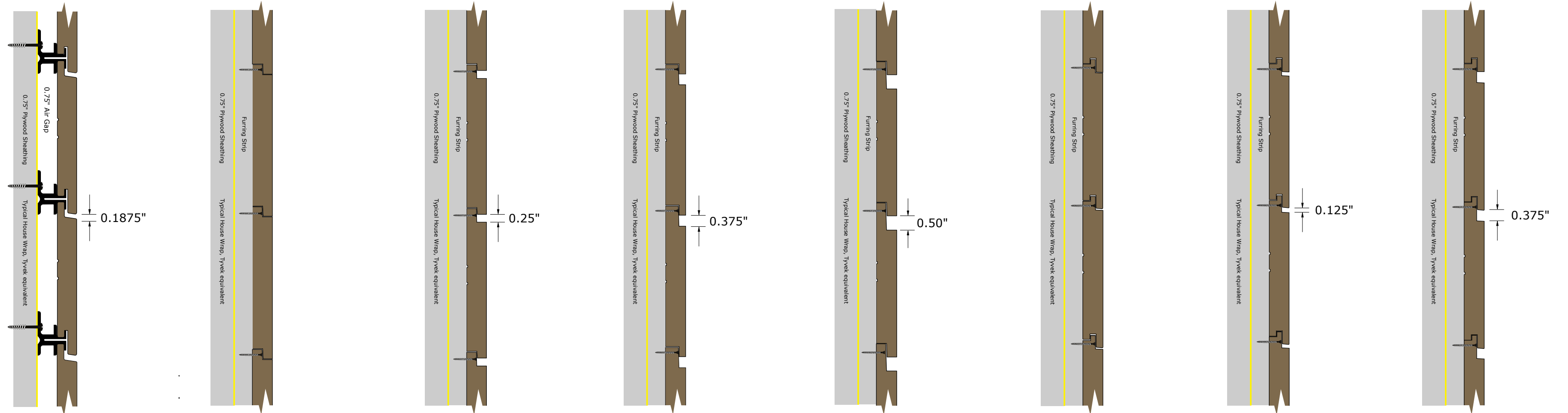
S-46-002

S-46-003

S-46-004

S-46-005

S-46-006



Nova ExoClad QuickClip Rainscreen Siding System

Square End Match (optional*)



* Not available on some profiles.

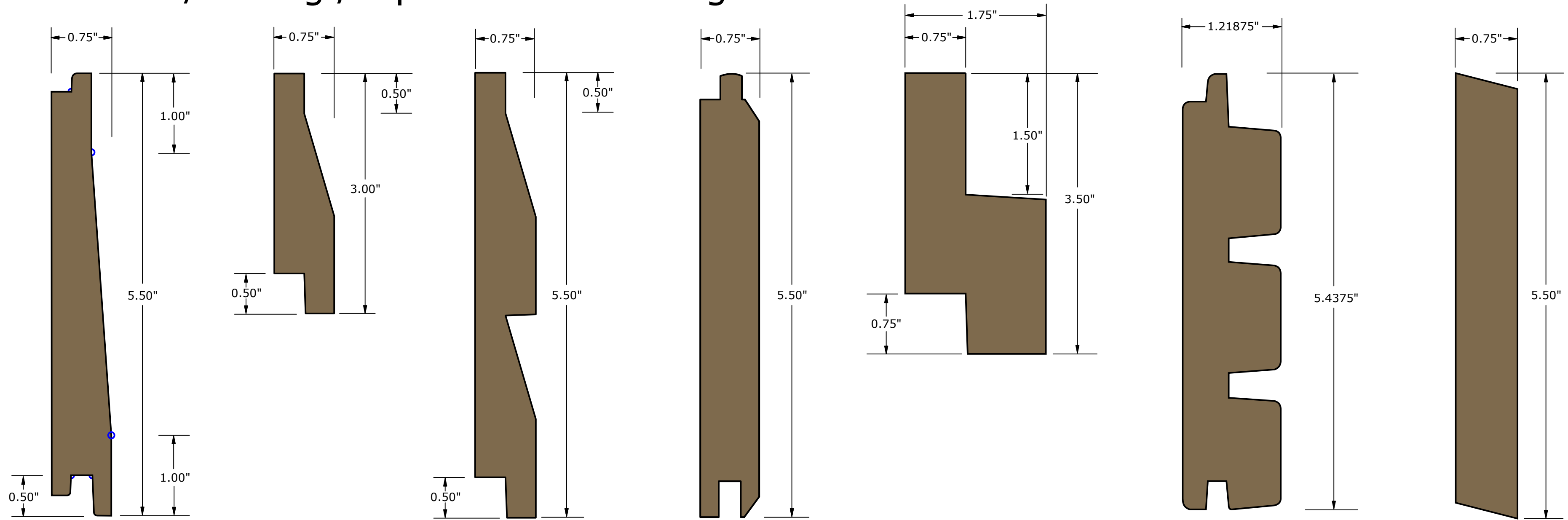
NOTES: UNLESS OTHERWISE SPECIFIED

- 1) MATERIAL: THERMALLY-MODIFIED HARDWOOD
- 2) FINISHED LENGTHS: 6' TO 12' AS DEVELOPS
- 3) SOUND KNOTS MAX 0.50" DIAMETER PERMITTED; NO OPEN KNOTS ON THE SOUND FACE

Rainscreen / Siding (R, S)			R/S/J-XX-0XX-EM	with Square End Match (optional*)
Code	Description	Reveal		
R-XX-000	ExoClad Rainscreen	Nominal minus 1.000"		
S-XX-000	Shiplap	Nominal minus 0.875"		
S-XX-001	Shiplap Quarter Gap	Nominal minus 0.750"		
S-XX-002	Shiplap 3/8 Gap	Nominal minus 0.875"		
S-XX-003	Shiplap Half Gap	Nominal minus 1.000"		
S-XX-004	Tex	Nominal minus 1.000"		
S-XX-005	Tex Nickel Gap	Nominal minus 1.000"		
S-XX-006	Tex 3/8 Gap	Nominal minus 1.000"		

<p>Americana by Bingaman 1195 Creek Mountain Rd Kreamer PA 17833</p>	TITLE		REV
	R/S/J-4X-0XX		
DRAWN: LMP	11/17/2022	SIZE	DWG NO
TOLERANCE:			
X.XXX (+/- .03125")	ANG (+/- 1DEG)		
X.XX (+/- .0625")	FRAC (+/- 1/32")		
ALL DIMENSIONS IN INCHES			
			SHEET 1 OF 2

Rainscreen / Siding / Open Joint Cladding



S-46-007

S-44-008

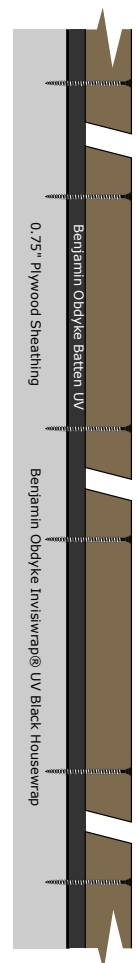
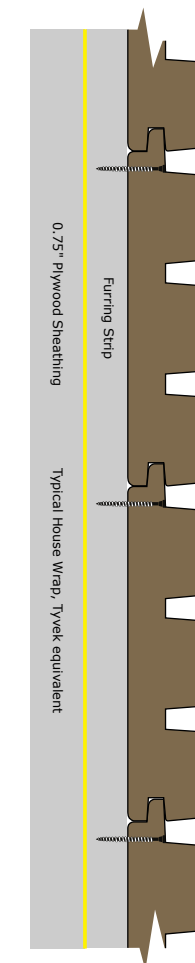
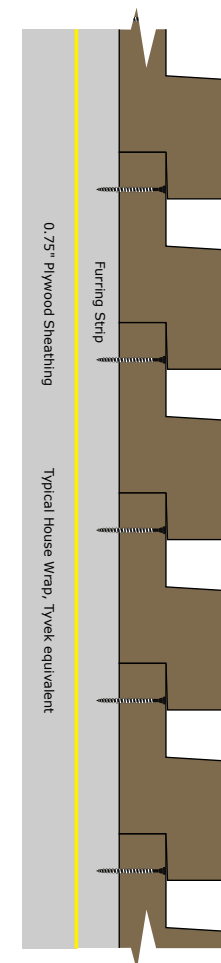
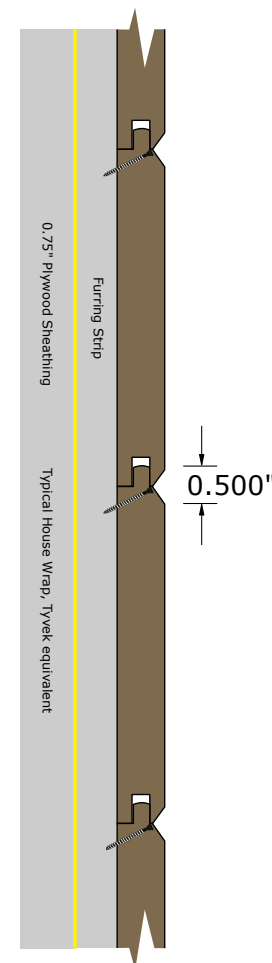
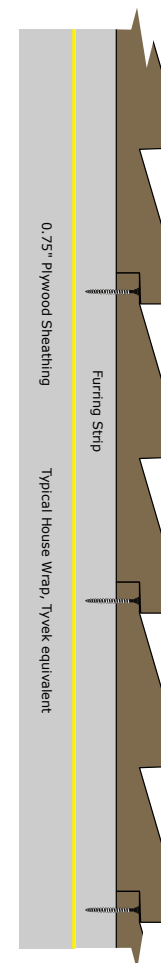
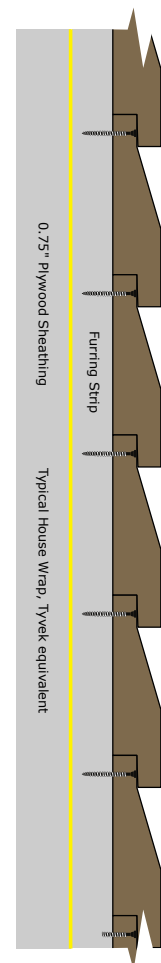
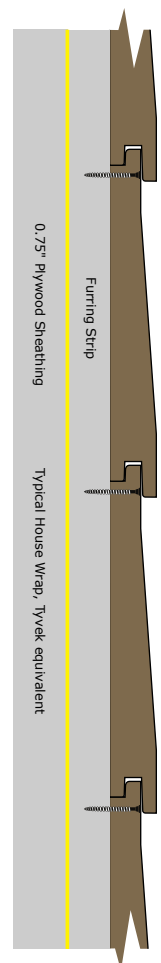
S-46-009

S-46-010

S-84-011

S-66-012

J-46-000



NOTES: UNLESS OTHERWISE SPECIFIED


- 1) MATERIAL: THERMALLY-MODIFIED HARDWOOD
- 2) FINISHED LENGTHS: 6' TO 12' AS DEVELOPS
- 3) SOUND KNOTS MAX 0.50" DIAMETER PERMITTED; NO OPEN KNOTS ON THE SOUND FACE

Square End Match (optional*)



* Not available on some profiles.

Rainscreen / Siding (R, S)			R/S/J-XX-0XX-EM	with Square End Match (optional*)	
Code	Description	Reveal			
S-46-007	Tex Bevel	Nominal minus 1.000"			
S-44-008	Dutch	Nominal minus 1.500"			
S-46-009	Double Dutch	Nominal minus 1.000"			
S-XX-010	WP4	Nominal minus 0.850"			
S-84-011	Deep Shadow	Nominal minus 1.250"			
S-66-012	Triple Shadow	Nominal minus 0.875"			
J-XX-000	Open Joint	Nominal minus 0.500"			

 Americana by Bingaman
1195 Creek Mountain Rd
Kreamer PA 17833

DRAWN: LMP 11/17/2022

TOLERANCE:
X.XXX (+/- .03125") ANG (+/- 1DEG)
X.XX (+/- .0625") FRAC (+/- 1/32")

ALL DIMENSIONS IN INCHES

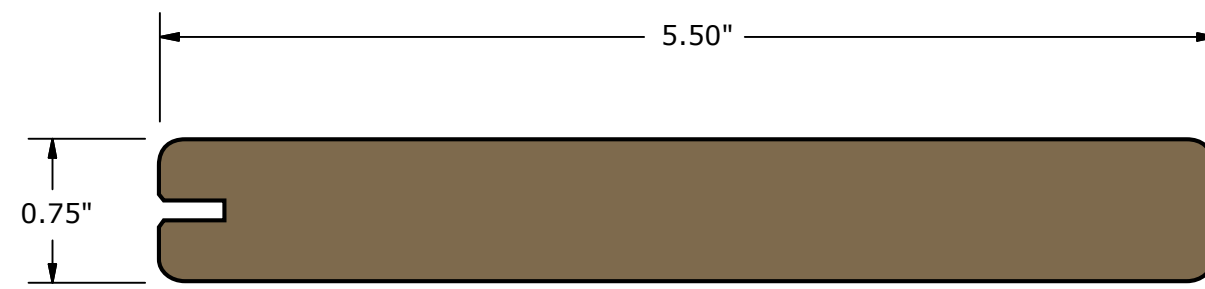
TITLE
R/S/J-XX-0XX

SIZE DWG NO REV
6

SHEET 2 OF 2

Decking

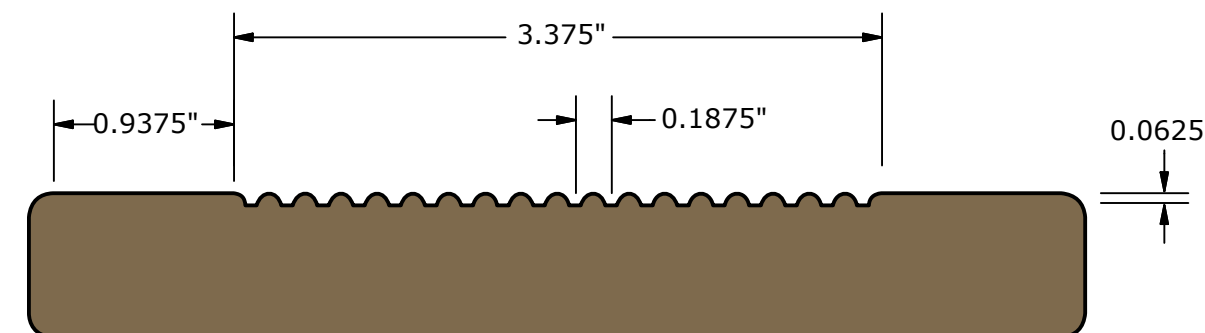
Mantis 320 compatible



M-46-001



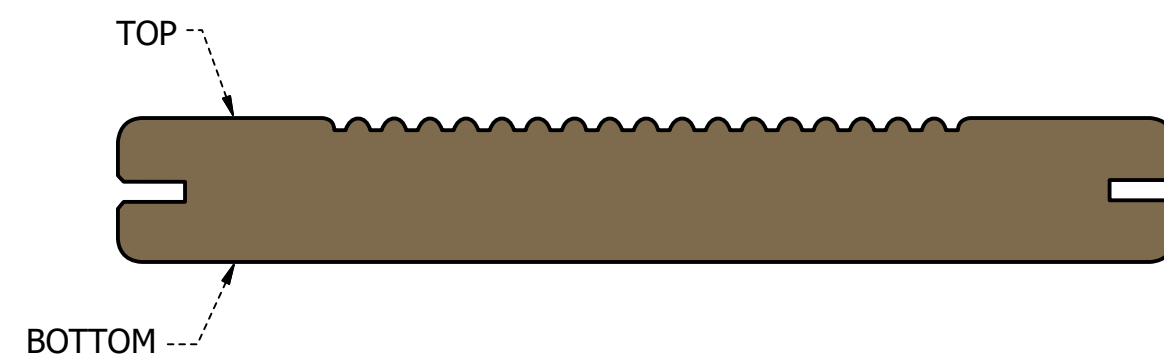
M-46-002



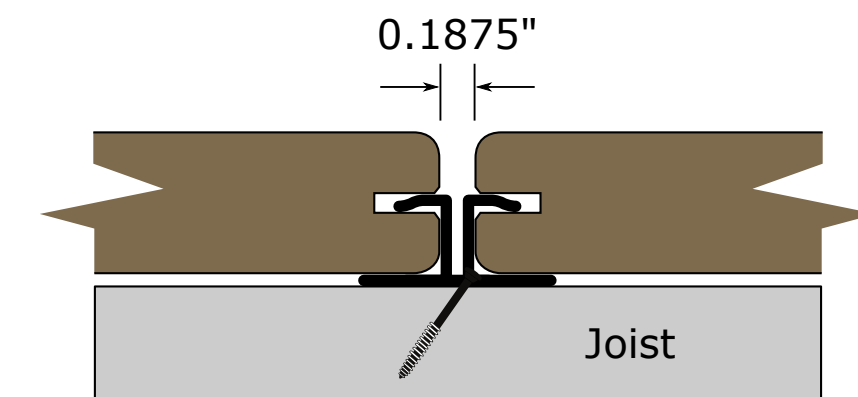
M-46-003



M-46-004



M-46-005



Structural End Match (optional)



Code	Description
M-XX-001	Mantis Groove one edge
M-XX-002	Mantis Groove & Groove
M-XX-003	No Grooves Combed
M-XX-004	Mantis Groove one edge, Combed
M-XX-005	Mantis Groove & Groove, Combed
M-XX-0XX-EM	with Structural End Match (optional)

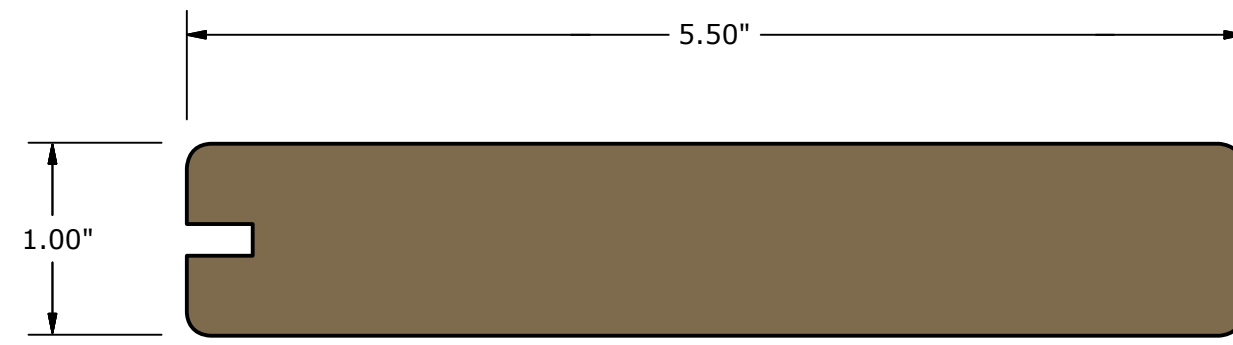
NOTES: UNLESS OTHERWISE SPECIFIED

- 1) MATERIAL: THERMALLY-MODIFIED HARDWOOD
- 2) FINISHED LENGTHS: 6' TO 12' AS DEVELOPS, MAX 5% 3/4'/5' NESTED
- 3) SOUND KNOTS MAX 0.50" DIAMETER PERMITTED; NO OPEN KNOTS ON THE SOUND FACE
- 4) GROOVES COMPATIBLE WITH MANTIS 320 CLIP SYSTEM

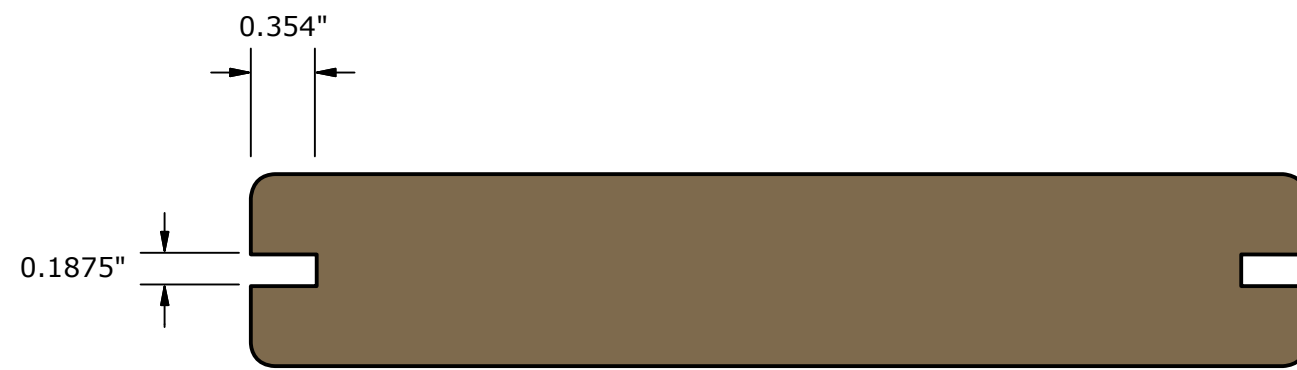
Americana by Bingaman 1195 Creek Mountain Rd Kreamer PA 17833	TITLE		M-46-0XX
	DRAWN: LMP 11/17/2022		
TOLERANCE: X.XXX (+/- .03125") ANG(+/- 1DEG) X.XX (+/- .0625") FRAC(+/- 1/32")		SIZE	DWG NO
ALL DIMENSIONS IN INCHES			REV 6
			SHEET 1 OF 1

Decking

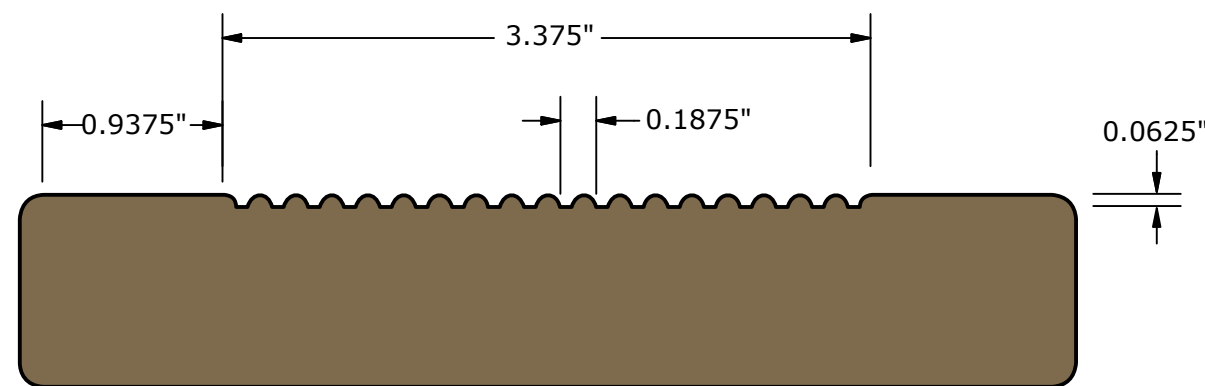
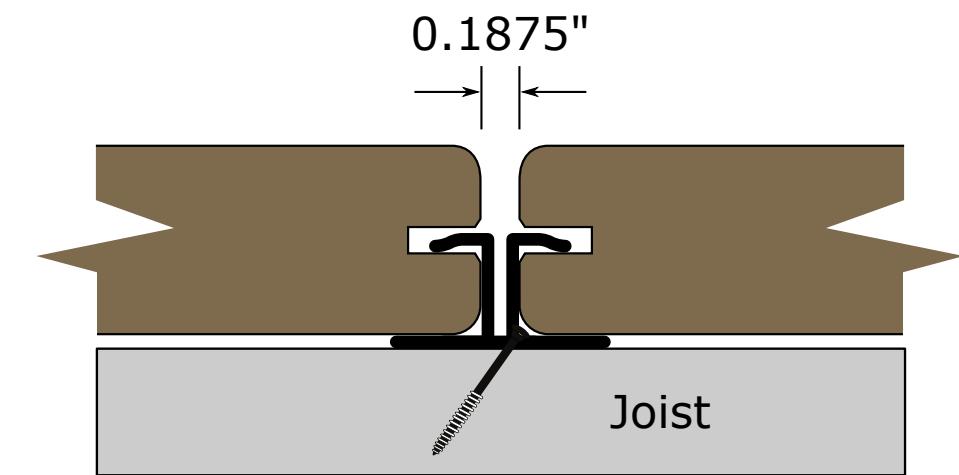
Mantis 396 compatible



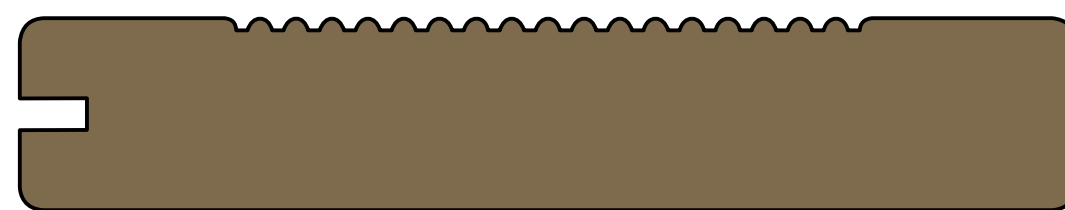
M-56-001



M-56-002

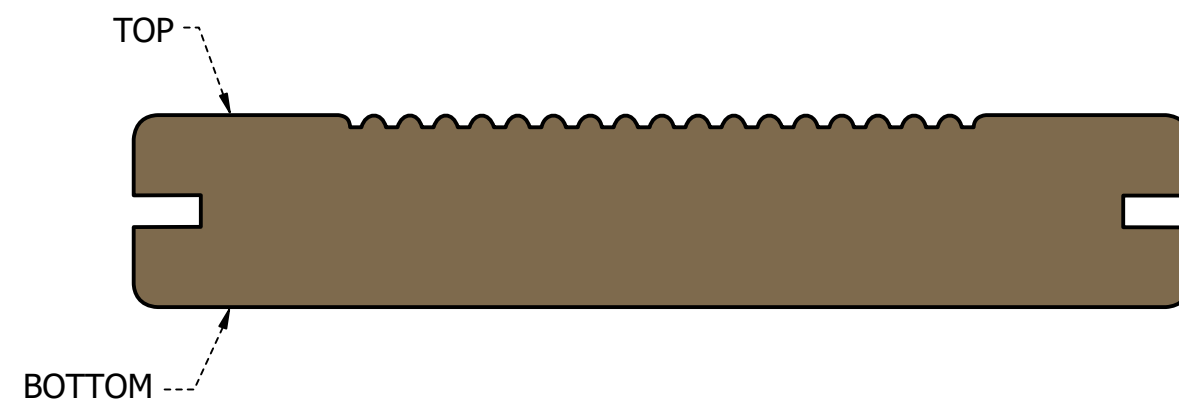


M-56-003



M-56-004

Structural End Match *(optional)*



M-56-005

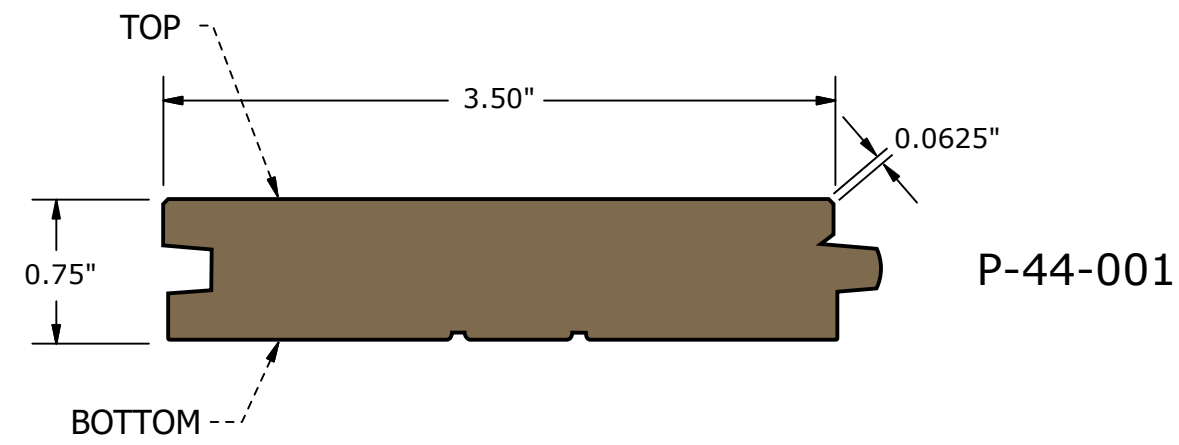
Code	Description
M-XX-001	Mantis Groove one edge
M-XX-002	Mantis Groove & Groove
M-XX-003	No Grooves Combed
M-XX-004	Mantis Groove one edge, Combed
M-XX-005	Mantis Groove & Groove, Combed
M-XX-0XX-EM	with Structural End Match <i>(optional)</i>

NOTES: UNLESS OTHERWISE SPECIFIED

- 1) MATERIAL: THERMALLY-MODIFIED HARDWOOD
- 2) FINISHED LENGTHS: 6' TO 12' AS DEVELOPS, MAX 5% 3/4'/5' NESTED
- 3) SOUND KNOTS MAX 0.50" DIAMETER PERMITTED; NO OPEN KNOTS ON THE SOUND FACE
- 4) GROOVES COMPATIBLE WITH MANTIS 396 CLIP SYSTEM

	Americana by Bingaman 1195 Creek Mountain Rd Kreamer PA 17833	TITLE	
		M-56-0XX	
DRAWN: LMP	11/17/2021	SIZE	DWG NO
TOLERANCE:			
X.XXX (+/- .03125")	ANG(+/- 1DEG)		
X.XX (+/- .0625")	FRAC(+/- 1/32")		
ALL DIMENSIONS IN INCHES			
			REV 6
			SHEET 1 OF 1

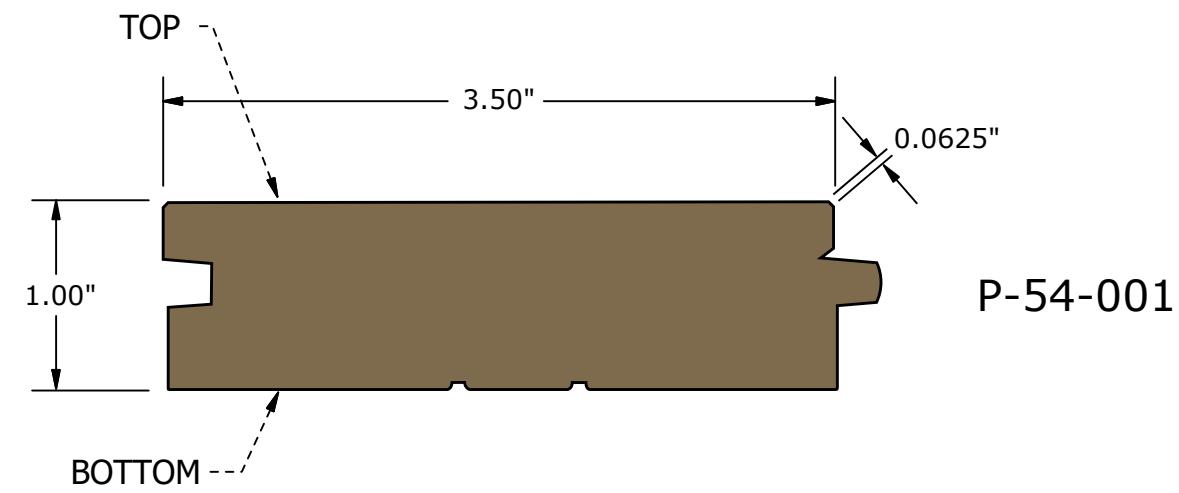
Porch Flooring / Soffits



P-44-001



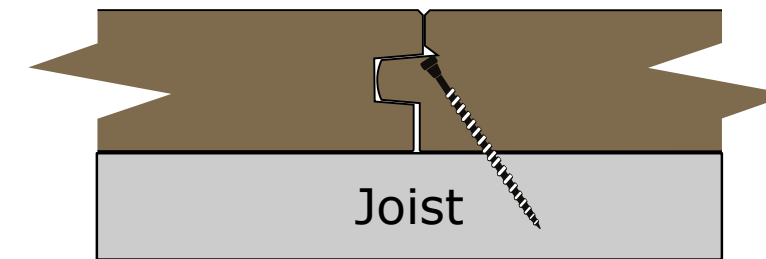
P-44-002



P-54-001



P-54-002



Code	Description
P-XX-001	Tongue & Groove Microbevel
P-XX-002	Tongue & Groove
P-XX-0XX-EM	with Square End Match (<i>optional</i>)

NOTES: UNLESS OTHERWISE SPECIFIED

- 1) MATERIAL: THERMALLY-MODIFIED HARDWOOD
- 2) FINISHED LENGTHS: 6' TO 12' AS DEVELOPS, MAX 5% 3'/4'/5' NESTED
- 3) SOUND KNOTS MAX 0.50" DIAMETER PERMITTED; NO OPEN KNOTS ON THE SOUND FACE

	Americana by Bingaman 1195 Creek Mountain Rd Kreamer PA 17833	TITLE		P-XX-0XX
	DRAWN: LMP TOLERANCE: X.XXX (+/- .03125") X.XX (+/- .0625") ALL DIMENSIONS IN INCHES	11/17/2022 ANG(+/--1DEG) FRAC(+/- 1/32")	SIZE	
				REV
				6
				SHEET 1 OF 1